

Features

Gelo LED power supplies are designed specifically for use in refrigeration, retail display and sign applications. The industry standard footprint and very low profile design provide great benefits for low profile mullions and wire chase installations. Industry leading efficiency will keep power dissipation to the bare minimum

- Wide Range Input: 90 - 305 VAC
- Constant Voltage Output, NEC Class 2
- Very High Efficiency 90% typical above 50% load
- Low THD (<20% from 50-100% load)
- Very low profile
- Long life
- 5 year warranty
- Wide temperature range (-40°C to 90°C case)
- Dry and damp rated
- RoHS Compliant



Applications and Benefits

Gelo is designed for powering LEDs in commercial & industrial lighting applications.

The product's extremely **small form factor** and **high efficiency** makes it suitable for integration into the "mullion" space of refrigeration, freezer and display cases.

A host of integrated **control features**:


- Simplify Light Fixture Design
- Ease Safety Approval Cycles
- Lower LED Retrofit Complexity and Cost



Input and Output Specification

Input Voltage: 120 - 277VAC nominal
90 - 305 VAC range
47-63 Hz Frequency Range

Efficiency: 90% min @100% load @ 240/277VAC
88% min >60W load @120/240/277VAC

Isolation:  Class II, reinforced insulation

Input Power: < 115W

Input Current: 0.95A@120V
0.40A@277V

Input Power Factor: >0.90 @ 120/240VAC, >50W
output power and >60W for 277VAC input

THD: < 20% @ 120/240/277VAC, >50W output
power

Inrush Current (Apk/μs) 100Apk /200μs

Input Harmonics: Meets EN61000-3-2, -3

Output Voltage: 24VDC ±3%

Output Current: 4000mA (Class 2)

Ripple Voltage: 1% (P-P) of maximum Output
Voltage

Output Over-voltage, Over-Current and Short-
Circuit Protection (hiccup), and over-temperature
protection with auto recovery

Performance Requirements: Meets the requirements of IEC 62384; control gear for LED modules

Mechanical Details

Packaging Options: Partially Encapsulated with full metal enclosure

I/O Connections: Flying leads for all connections, requires installation in an approved electrical enclosure

Connection	Wire Type	Wire Color	Gauge (AWG)	Length (in)	Length (mm)
Input (Line)	Solid copper, 105C/600V	Black	18	10	254
Input (Neutral)	Solid copper, 105C/600V	White	18	10	254
Output (positive)	Solid copper, 105C/300V	Red	18	30	762
Output (negative)	Solid copper, 105C/300V	Blue	18	30	762

Eu and RoW

ROAL Electronics S.p.A
Via Jesina 56/A
60022 – Castelfidardo (AN) - Italy
Tel:+39 071 721461
Fax:+ 39 071 72146 480

Subject to Change without Notice

03 June 2014

www.roallivingenergy.com

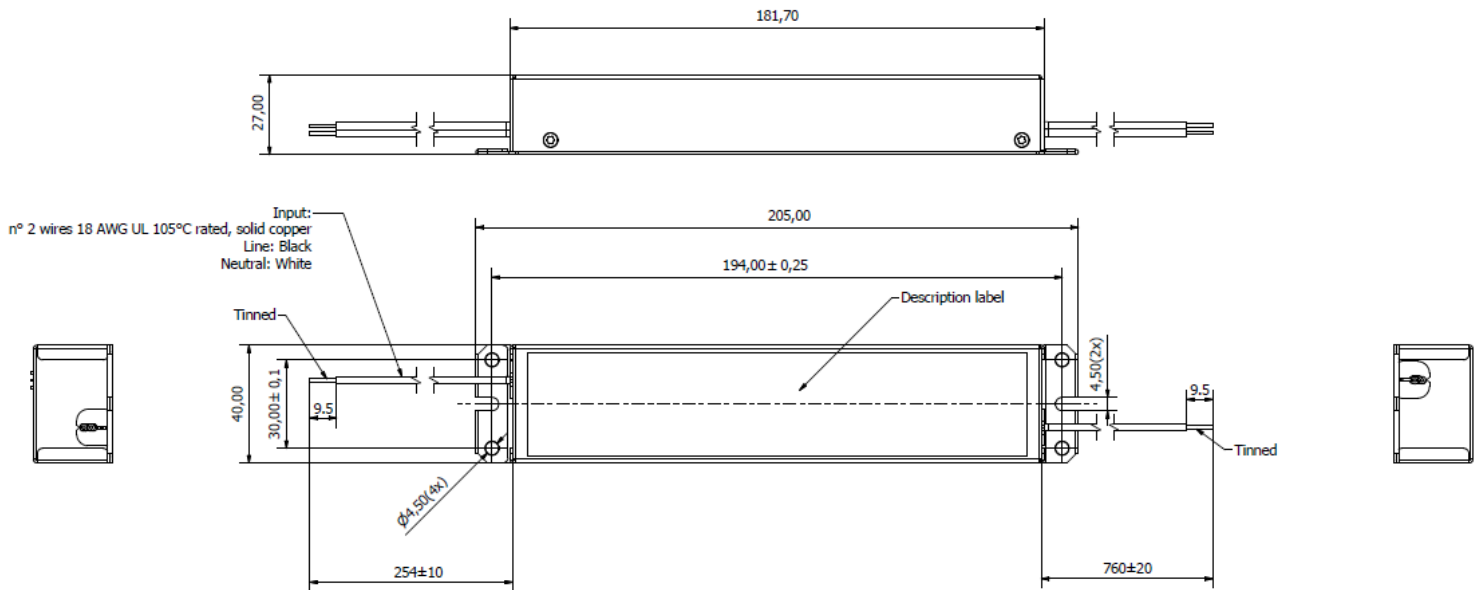
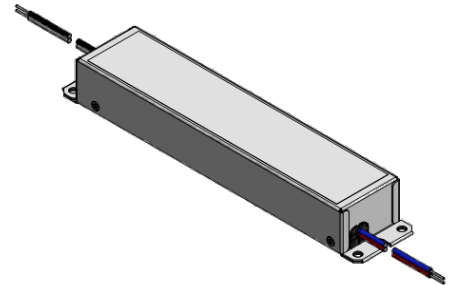
North America

ROAL Electronics USA, Inc.
701 Main St., Suite 405
Stroudsburg, PA18360
Phone: + 1 570 421 5750
Fax: +1 570 421 5687

Outline Drawings

Package: RGLD100-24

Max Dimensions: 27x40x205mm (1.06"x1.57"x8.07")
 Dimensions without mounting feet: 27x40x181mm (1.06"x1.57"x7.12")
 Volume : 199.1 cm³ (11.85 in³)
 Weight: 600g (1.32 lbs)
 Ingress Protection: IP20



Color Case: White RAL9010
 Meet the EU RoHS-2 (Directive 2011/65/EU of the European Parliament and of the Council).
 (Restriction of hazardous substances directive).
 Compliant with the REACH regulation (European Union Regulation No 1907/2006).

Eu and RoW

ROAL Electronics S.p.A
 Via Jesina 56/A
 60022 – Castelfidardo (AN) - Italy
 Tel:+39 071 721461
 Fax:+ 39 071 72146 480

Subject to Change without Notice

03 June 2014

www.roallivingenergy.com

North America

ROAL Electronics USA, Inc.
 701 Main St., Suite 405
 Stroudsburg, PA18360
 Phone: + 1 570 421 5750
 Fax: +1 570 421 5687

Environmental

Operating Temperature:	-40 to +90°C case temperature without derating (50°C ambient)
Operating Relative Humidity:	5% to 95%, non condensing
Storage Temperature:	-40°C to +85°C
Surface Temperature:	Exposed surfaces <90°C under all operating conditions
Cooling:	Convection cooled

EMC Compliance

Emission Tests

Conducted Emissions 9kHz – 30MHz	EN55015
Radiated Emissions 30MHz – 300MHz	EN55015
Conducted and Radiated Emissions	FCC CFR47-Part 15/Subpart B
Harmonic Current Emissions	EN61000-3-2, Class C
Voltage Changes, Fluctuation and Flicker	EN61000-3-3

Immunity Tests

Equipment for general lighting purposes - EMC Immunity Requirements	EN61547
ESD (Electrostatic Discharge)	EN61000-4-2
Radiated Radio-Frequency electromagnetic field	EN61000-4-3
Electrical Fast Transient/Burst	EN61000-4-4 (±1kV L-L)
Surge	EN61000-4-5 (Level 4, 4kV L-L, 4kV L-GND)
Conducted disturbances induced by Radio Frequency Fields	EN61000-4-6
Voltage Dips, short interruptions and Voltage Variations	EN61000-4-11
Non Repetitive damped oscillatory transient, Ring Wave	ANSI C 62.41 Category A1, 2.5kV Ring-wave

Eu and RoW

ROAL Electronics S.p.A
Via Jesina 56/A
60022 – Castellidardo (AN) - Italy
Tel:+39 071 721461
Fax:+ 39 071 72146 480

Subject to Change without Notice

03 June 2014

www.roallivingenergy.com

North America

ROAL Electronics USA, Inc.
701 Main St., Suite 405
Stroudsburg, PA18360
Phone: + 1 570 421 5750
Fax: +1 570 421 5687

Safety Agency Approvals

UL - UL Recognized (E330583.FKSZ2,8) according to UL 8750, CSA C22.2 No 250, standards
UL Recognized according to UL60950-1
Models with rated output voltage up to 60 V are Class 2 LED Drivers, valid for NEC and CEC.
Drivers are suitable for dry and damp locations.

CB - Certificate and Test Report by Demko, according to IEC/EN 61347-1, IEC/EN 61347-2-13 standards
electronic control gear for LED Modules.



ENEC mark according to EN 62384, EN 61347-1, EN 61347-2-13.

CE Mark for EU.

Eu and RoW

ROAL Electronics S.p.A
Via Jesina 56/A
60022 – Castellidardo (AN) - Italy
Tel:+39 071 721461
Fax:+ 39 071 72146 480

Subject to Change without Notice

03 June 2014

www.roallivingenergy.com

North America

ROAL Electronics USA, Inc.
701 Main St., Suite 405
Stroudsburg, PA18360
Phone: + 1 570 421 5750
Fax: +1 570 421 5687

Roal Electronics, S.p.A. may change product specifications and accordingly the information presented in this document. Customers are responsible for their products and applications using Roal Electronics, S.p.A. products. Roal Electronics, S.p.A. assumes no liability from the use of its products outside of specifications. No license is granted to any intellectual property rights by this document. ROAL ELECTRONICS, S.P.A. DISCLAIMS ALL REPRESENTATIONS AND WARRANTIES OF ANY KIND, EXPRESS OR IMPLIED, INCLUDING, BUT NOT LIMITED TO, IMPLIED WARRANTIES OF NONINFRINGEMENT, MERCHANTABILITY AND FITNESS FOR A PARTICULAR PURPOSE.

Eu and RoW

ROAL Electronics S.p.A
Via Jesina 56/A
60022 – Castelfidardo (AN) - Italy
Tel:+39 071 721461
Fax:+ 39 071 72146 480

Subject to Change without Notice

03 June 2014

www.roallivingenergy.com

North America

ROAL Electronics USA, Inc.
701 Main St., Suite 405
Stroudsburg, PA18360
Phone: + 1 570 421 5750
Fax: +1 570 421 5687